

we
are
arco

we
make
tables

arco

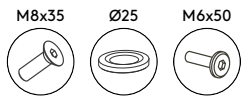
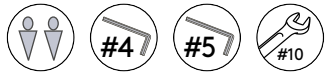
product
Kami (≤ 120cm wide)

designer
Joost van der Vecht

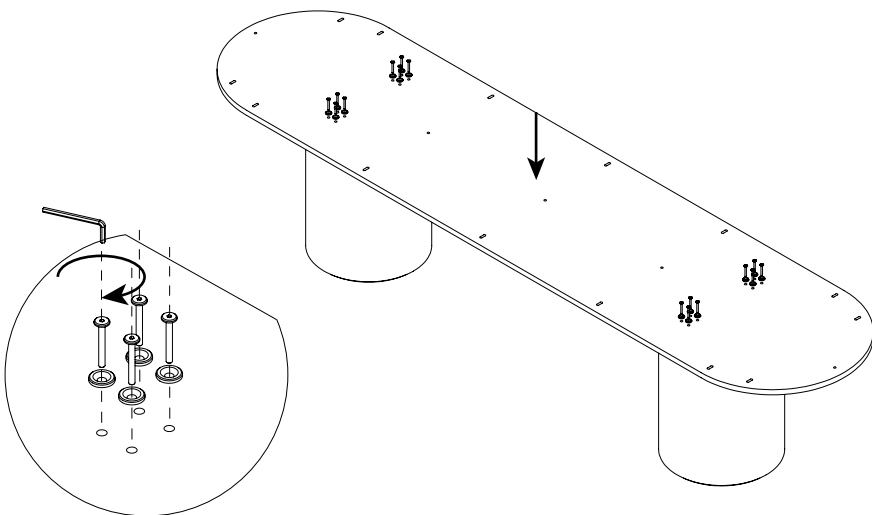
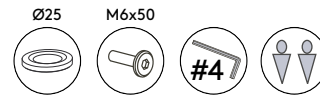
Year
2020

Assembly
instructions

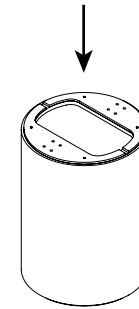
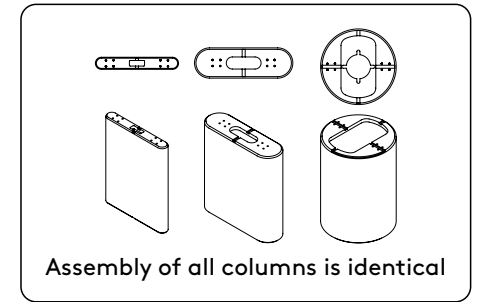
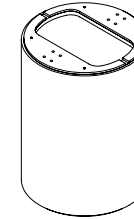
Please follow step 1 - 5.



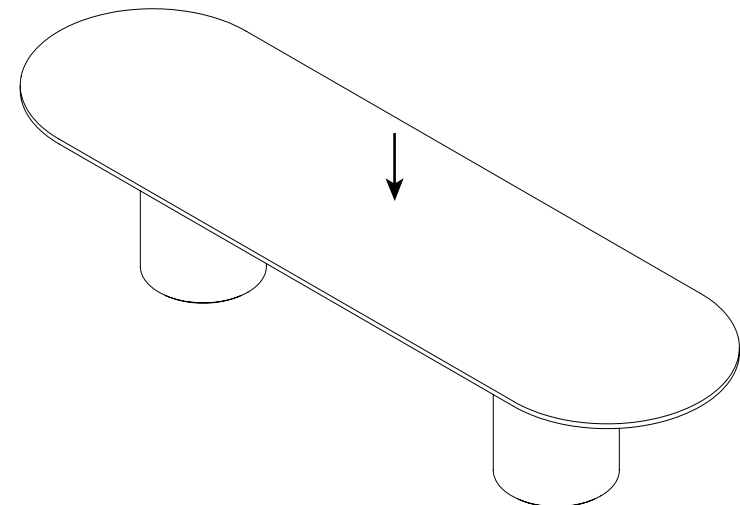
2



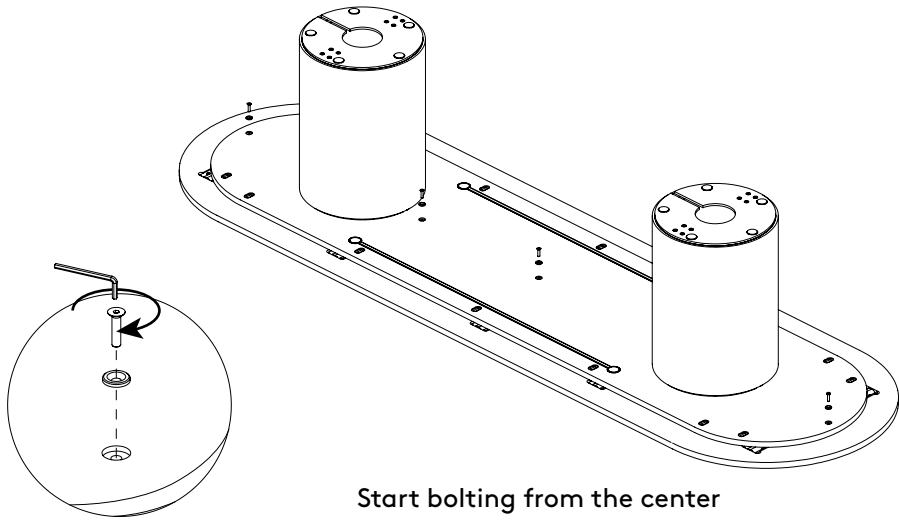
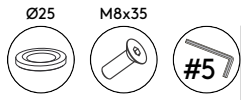
1



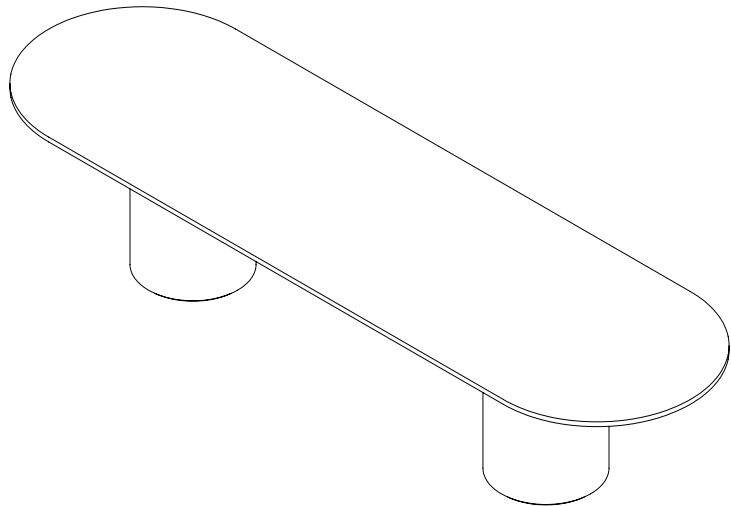
3



4



Start bolting from the center



5

